
Experienced, Versatile

You'll find the skill set at the North Coast Electrical Co. to be quite versatile. Our interests and experiences span both decades and disciplines.

Formal training in the fields of hydraulics, pneumatics, automation, machining, electronics, electrical power distribution, and computers provides an excellent background for the design, fabrication, and troubleshooting of automated systems.

Flexible Work Relationships

Our intent is to make electro-mechanical engineering support services available to our clients without undue stress on their budgets and/or administrative staff.

Working relationships can range from consultant to direct hire, either by the project or contract / 1099. Whatever best fits the situations.

Fully Insured

Liability insurance provided by NATIONAL GRANGE MUTUAL INSURANCE CO. Certificates of insurance are available.

- ⇒ Experienced, Versatile
- ⇒ Flexible Work Relationships
- ⇒ Fully Insured

Please Contact Us

Telephony
585-425-4357
Voice / FAX / Voice Mail
(Automatic Line Sharing)

E-mail address
factotum@NorthCoastElectrical.com

Web address
<http://www.NorthCoastElectrical.com>

North Coast Electrical Company
Electro-mechanical
Engineering Support
Fairport, New York 14450

*Please pass this information
along to your colleagues.
Thank you...*

THE NORTH COAST **ELECTRICAL CO.**

Electro-
Mechanical
Engineering
Support
Services

- ◆ AutoCAD Drafting
- ◆ Patent Illustrations
- ◆ Solid Modeling
- ◆ Electro-mechanical Troubleshooting
- ◆ Automation / Special Machines
- ◆ Machine Shop Services
- ◆ Pneumatic Logic Systems
- ◆ And much more....

**THE North Coast
Electrical Company**

**Versatile,
Electro-mechanical
Engineering Support**

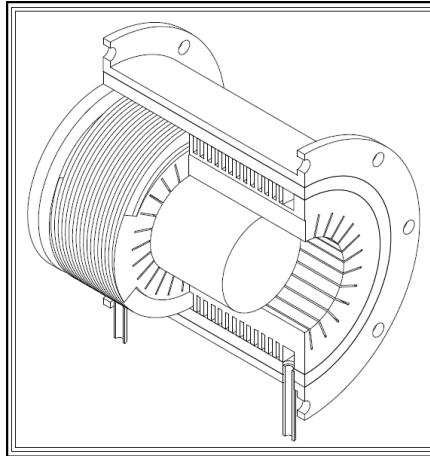
The mission of the NORTH COAST ELECTRICAL COMPANY is to provide electro-mechanical engineering support services to industrial clients, entrepreneurs, inventors, and individuals.

**Component & sub-system
design and build**

Whether your concept is a sketch on the back of a napkin or a fully-developed model, we can help. Our preference is to create CAD drawings to both alleviate misunderstanding and facilitate fabrication. An overall cost saving is usually realized.

Computer-Aided Design

- Parametric 3-D Solid Modeling / Alibre' Design
- Electro-mechanical 2-D Drafting / AutoCAD
- Patent Illustrations



Alibre' / AutoCAD Hybrid Drawing

Fluid Logic

- Pneumatic control systems designed, built & debugged
- Resolve your emergency shutdown issues while utilizing electro-pneumatics.
- Hydraulic system troubleshooting & repair

*Our services are valued
within many industries.*

Machine Shop Services

- 9" x 42" Alliant Knee Mill (Bridgeport clone)
- 12" x 36" Geared Head Lathe
- 9" x 36" Hardinge Tool Lathe

- Metalworking
- Jigs & Fixtures
- Prototypes

**Automation &
Special Machines**

- Controls Engineering
Circuitry Design / Panel
Layout / Documentation
- Troubleshooting
- Debug & Repair

Data Acquisition

- Simplified Data Management
- Consultation

Miscellaneous

- Computer Maintenance
- TCP/IP Networking
- Programming
- Designed Experiments
- Technical Writing
- Building Wiring