

## Experienced, Versatile

You'll find the skill set at the North Coast Electrical Co. to be quite versatile. Our interests and experiences span both decades and disciplines.

Formal training in the fields of hydraulics, pneumatics, automation, machining, electronics, electrical power distribution, and computers provides an excellent background for the design, fabrication, and troubleshooting of automated systems.

## Flexible Work Relationships

Our intent is to make electro-mechanical engineering support services available to our clients without undue stress on their budgets and/or administrative staff.

Working relationships range from consultant to direct hire, either temporary, by the project, or contract / 1099. Whatever best fits the situations.

## Fully Insured

Liability insurance is provided by the **MAIN STREET AMERICA GROUP**. Certificates of insurance are available.

- ⇒ Experienced, Versatile
- ⇒ Flexible Work Relationships
- ⇒ Fully Insured

## Contact us at:

Telephony  
585-425-HELP {4357}  
Voice / FAX / Voice Mail  
(Automatic Line Sharing)

E-mail address  
factotum@NorthCoastElectrical.com

Web address  
<http://www.NorthCoastElectrical.com>

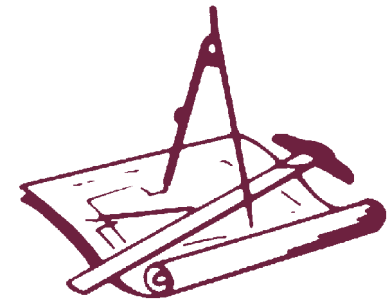
North Coast Electrical Company  
Electro-mechanical  
Engineering Support  
Fairport, New York 14450

*Please pass this information  
along to your colleagues.  
Thank you...*

**NORTH COAST ELECTRICAL CO.**

A VETERAN OWNED & OPERATED BUSINESS

**Electro-  
Mechanical  
Engineering  
Support  
Services**



- ◆ AutoCAD Drafting
- ◆ Patent Illustrations
- ◆ Solid Modeling
- ◆ Electro-mechanical Troubleshooting
- ◆ Automation / Special Machines
- ◆ Machine Shop Services
- ◆ Pneumatic Logic Systems

## North Coast Electrical Company

## Versatile, Electro-mechanical Engineering Support

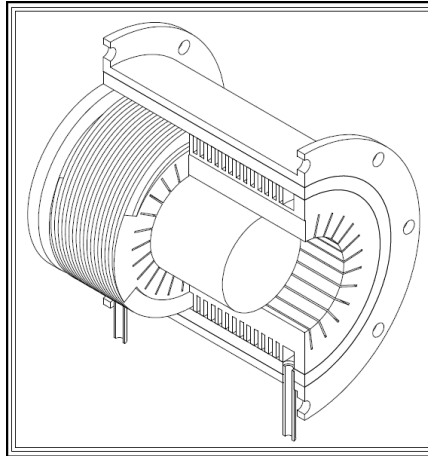
The mission of the NORTH COAST ELECTRICAL COMPANY is to provide electro-mechanical engineering support services to industrial clients, entrepreneurs, inventors, and individuals.

### Component & sub-system design and build

Whether your concept is a sketch on the back of a napkin or a fully developed model, we can help. Our initial preference is to create CAD drawings to both alleviate misunderstanding and facilitate fabrication. An overall cost saving is usually realized.

### Computer-Aided Design

- Parametric 3-D Solid Modeling / Alibre' Design
- Electro-mechanical 2-D Drafting / AutoCAD
- Patent Illustrations



Alibre' / AutoCAD Hybrid Drawing

### Fluid Logic

- Pneumatic control systems designed, built & debugged
- Resolve your emergency shutdown issues while utilizing electro-pneumatics.
- Hydraulic system troubleshooting & repair

*Our services are valued  
within many industries.*

### Machine Shop Services

- 9" x 42" Alliant Knee Mill (Bridgeport clone)
- 12" x 36" Geared Head Lathe
- 9" x 36" Hardinge Tool Lathe
- Metalworking
- Jigs & Fixtures
- Prototypes

### Automation & Special Machines

- Controls Engineering  
Circuitry Design / Panel  
Layout / Documentation
- Troubleshooting
- Debug & Repair

### Data Acquisition

- Simplified Data Management
- Consultation

### Miscellaneous

- Computer Maintenance
- TCP/IP Networking
- Programming
- Designed Experiments
- Technical Writing
- Building Wiring